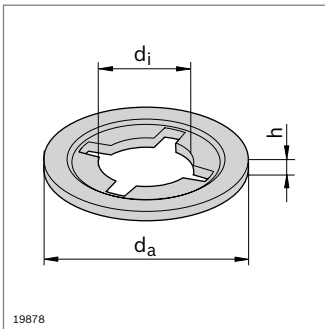


Retainer ring

- ▶ Secures the fastening screw to the surface element
- ▶ For use with all Variofix blocks, but not for the S bracket
- ▶ Retrofitting possible
- ▶ For various thread sizes



Retainer ring	d _a (mm)	d _i (mm)	h (mm)		No.
M4	9.0	3.4	1.0	100	3 842 542 328
M5	10.0	4.5	1.0	100	3 842 542 329
M6	12.5	5.5	1.5	100	3 842 542 330

Material: PA; black